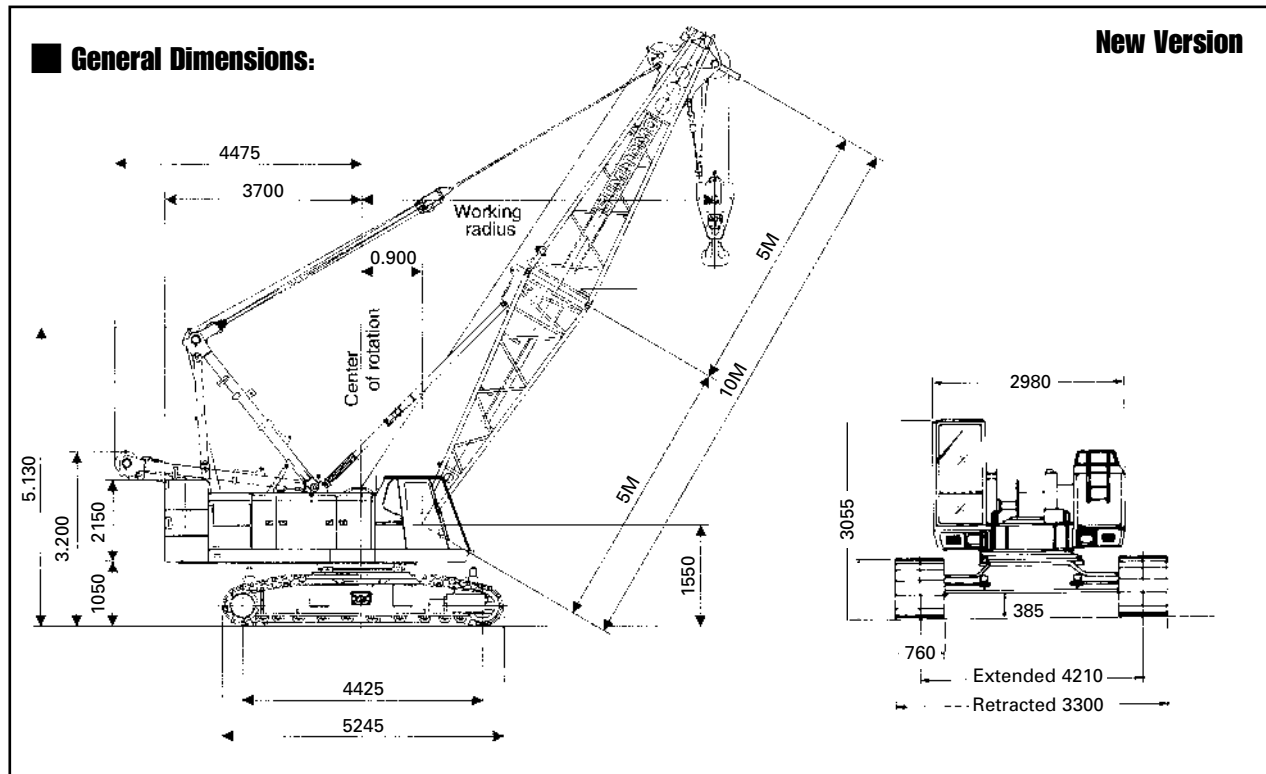


SUMITOMO SC 400



Max-Lift & Radius	40t 3m
Min boom Length	10 mt
Max Boom Length	49m
Fly Jib Lengths	6.10m - 15.25m
Max Boom with Fly	40.0m - 15.25m
Main & Aux Winch Speed Hoist & Lowering	80m/min
Boom Hoist & Lowering	64m/min
Swing Speed	3.4RPM
Travel Speed Max	1.8Km/Hr
Engineer Make & Model	Hino H06CT
Rated Output	150PS/2100RPM
Gradient	40% (22°)
Ground Pressure	0.57Kg/cm ³
Working Weight	43.5t

Hook Block Weights		
40t	15t	5.8t
400Kgs	300Kg	120Kgs

No of Falls	LOAD t
8	40.0
7	35.25
6	29.3
5	24.2
4	20.2
3	15.20
2	11.1
1	6.5t



HEAD OFFICE:
N R C PLANT LTD.
NEAGRON HOUSE, STANFORD ROAD,
ORSETT, ESSEX. RM16 3BX
Telephone: 01375 361616
Fax: 01375 361818

sales@nrcplant.co.uk
www.nrcplant.co.uk

SC 400 LIFTING CAPACITIES MAIN BOOM

(in metric tons)

Working radius (m)	10.0	13.0	16.0	19.0	22.0	25.0	28.0	31.0	34.0	37.0	40.0	43.0	46.0	49.0
	40.00													
3.7	40.00	40.00												
4.0	36.80	36.70	35.25/4.1											
4.5	30.80	30.65	30.55	29.3/4.6										
5.0	25.90	25.75	25.65	25.55	24.2/5.2	20.2/5.8								
6.0	19.65	19.55	19.45	19.40	19.30	19.20	17.6/6.4							
7.0	15.80	15.70	15.65	15.50	15.45	15.35	15.25	15.20	13.8/7.5					
8.0	13.15	13.00	12.95	12.85	12.80	12.65	12.60	12.55	12.50	12.35	11.1/8.5			
9.0	11.20	11.15	11.05	10.95	10.85	10.80	10.70	10.60	10.50	10.45	10.40	10.25	9.2/9.5	
10.0	10.15/9.7	9.65	9.60	9.50	9.40	9.30	9.25	9.20	9.05	9.00	8.95	8.80	8.50	8.30
12.0		7.60	7.50	7.40	7.30	7.20	7.15	7.10	7.05	6.90	6.85	6.80	6.70	6.50
14.0		7.3/12.3	6.15	6.00	5.90	5.85	5.80	5.70	5.60	5.55	5.45	5.35	5.25	5.05
16.0			5.65/14.9	5.05	4.95	4.80	4.75	4.65	4.60	4.50	4.40	4.30	4.20	4.10
18.0				4.5/17.5	4.25	4.15	4.05	3.95	3.85	3.70	3.65	3.55	3.50	3.35
20.0					3.65	3.55	3.45	3.35	3.25	3.15	3.10	3.00	2.90	2.80
22.0						3.05	2.95	2.85	2.75	2.65	2.55	2.45	2.40	2.30
24.0						2.85/22.7	2.50	2.40	2.35	2.20	2.15	2.05	2.00	1.85
26.0							2.3/25.3	2.10	2.00	1.90	1.80	1.70	1.65	1.55
28.0								1.85	1.75	1.60	1.45	1.40	1.35	1.20
30.0									1.50	1.30	1.20	1.10	1.00	0.90
32.0									1.45/30.5	1.10	1.00	0.85	0.80	0.70
No. of part line	8	8	7	6	5	4	4	3	3	3	2	2	2	2

Notes

1. Capacities shown are in metric tons and are determined according to BS 1757 - over the side - with machine standing level on firm supporting surface under ideal job conditions. Deductions from the lifting crane capacities must be made for weight of hook block.

2. When handling load off main boom peak sheaves in case of mounting jib on boom, the following deductions in machine lifting capacities must be made.

3. Maximum fly jib capacity 5.0 tonnes

Kind of hook block	40t	15t	5t
Weight of hook block (t)	0.40t	0.30t	0.12t

Jib length (m)	6.10	9.15	12.20	15.25
Weight to be deducted (t)	0.75	0.90	1.05	1.20

WORKING WEIGHT AND GROUND PRESSURE

Shoe width	Weight	Pressure
760mm	43.5t	0.57 kg/cm ²