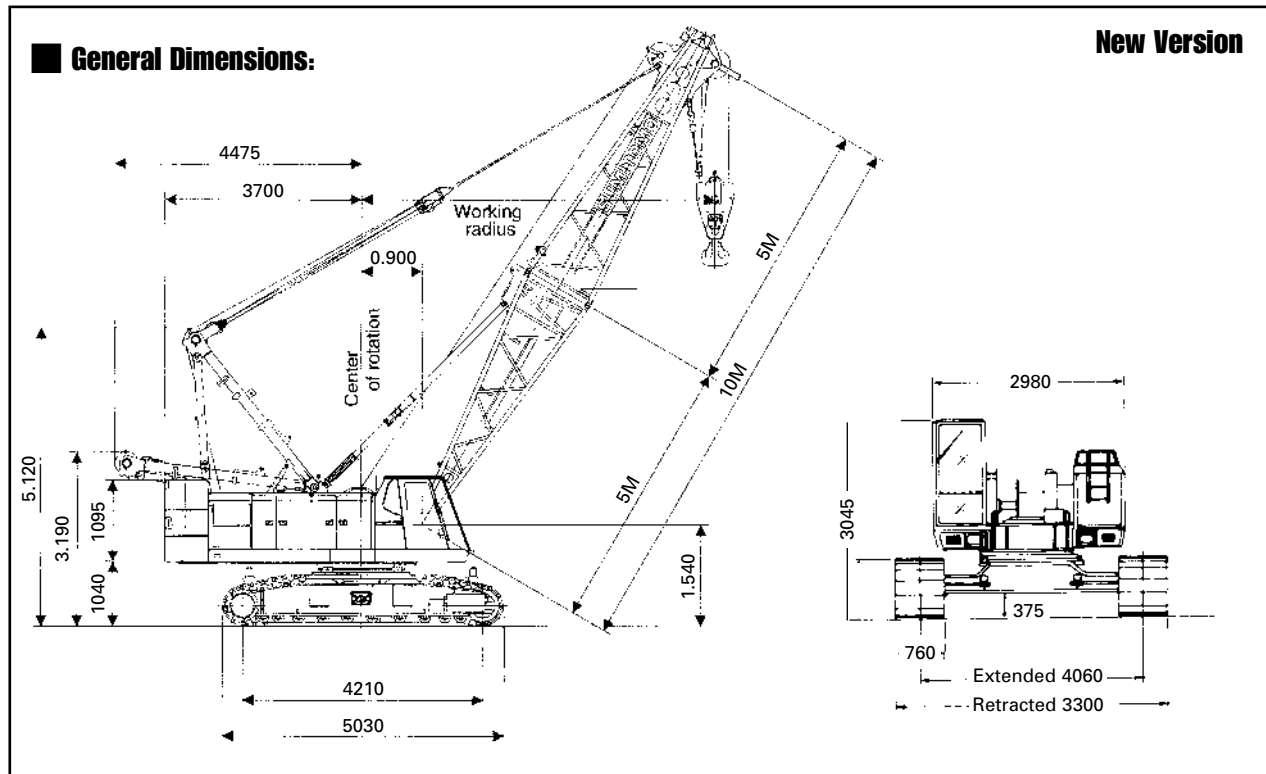


SUMITOMO SC 350



Max-Lift & Radius	35t 3m
Min boom Length	10m
Max Boom Length	43m
Fly Jib Lengths	6.10m - 15.25m
Max Boom with Fly	28.0m - 15.25m 31.0 - 12.20m
Main & Aux Winch Speed Hoist & Lowering	80m/min
Boom Hoist & Lowering	64m/min
Swing Speed	3.4RPM
Travel Speed Max	2.0Km/Hr
Engineer Make & Model	HINO H06CT
Rated Output	150PS/2.100RPM
Gradient	40% (22°)
Ground Pressure	0.64Kg/cm ³
Working Weight	43.5t

Hook Block Weights		
35t	15t	5.8t
400Kgs	360Kg	120Kgs

No of Falls	LOAD t
7	35t
5	27.8t
4	17.8t
3	13.9t
2	10.9t
1	6.5t



HEAD OFFICE:
N R C PLANT LTD.
NEAGRON HOUSE, STANFORD ROAD,
ORSETT, ESSEX. RM16 3BX
Telephone: 01375 361616
Fax: 01375 361818

sales@nrcplant.co.uk
www.nrcplant.co.uk

SC 350 LIFTING CAPACITIES MAIN BOOM

(in metric tons)

Working radius (m)	10.0	13.0	16.0	19.0	22.0	25.0	28.0	31.0	34.0	37.0	40.0	43.0
	35.0	35.0/3.3										
3.7	35.0	35.0										
4.0	34.4	34.3	34.1									
4.5	28.2	28.1	27.9	27.8								
5.0	23.8	23.7	23.6	23.5	23.4							
6.0	18.3	18.2	18.1	18.0	17.9	17.8	17.6					
7.0	14.7	14.5	14.4	14.3	14.2	14.1	14.0	13.9	13.8			
8.0	11.9	11.8	11.7	11.6	11.5	11.4	11.2	11.1	11.0	10.9	10.2	
9.0	10.1	10.0	9.9	9.7	9.6	9.5	9.4	9.3	9.2	9.1	9.0	8.3
10.0	9.1/9.7	8.8	8.6	8.5	8.4	8.3	8.2	8.1	8.0	7.9	7.7	7.6
12.0		6.8	6.7	6.6	6.5	6.4	6.3	6.2	6.0	5.9	5.8	5.7
14.0		6.5/12.3	5.6	5.5	5.4	5.3	5.2	5.1	5.0	4.9	4.8	4.7
16.0			5.3/14.8	4.7	4.6	4.5	4.3	4.2	4.1	4.0	3.9	3.8
18.0				4.2/17.5	3.9	3.8	3.7	3.6	3.5	3.3	3.2	3.1
20.0					3.3	3.2	3.1	3.0	2.9	2.8	2.7	2.6
22.0						2.8	2.7	2.6	2.5	2.4	2.3	2.2
24.0						2.7/22.7	2.4	2.2	2.1	2.0	1.9	1.8
26.0							2.2/25.3	2.0	1.9	1.8	1.7	1.5
28.0								1.7/27.9	1.6	1.5	1.4	1.3
30.0									1.4	1.3	1.2	1.1
32.0										1.1	1.0	0.9
No. of part line	7	7	7	5	5	4	4	3	3	2	2	2

Notes

1. Capacities shown are in metric tons and are determined according to BS 1757 - over the side - with machine standing level on firm supporting surface under ideal job conditions. Deductions from the lifting crane capacities must be made for weight of hook block.

2. When handling load off main boom peak sheaves in case of mounting jib on boom, the following deductions in machine lifting capacities must be made.

3. Maximum fly jib capacity 5.0 tonnes

Kind of hook block	35t	15t	5t
Weight of hook block (t)	0.40t	0.30t	0.12t

Jib length (m)	6.10	9.15	12.20	15.25
Weight to be deducted (t)	0.75	0.90	1.05	1.20

WORKING WEIGHT AND GROUND PRESSURE

Shoe width	Weight	Pressure
760mm	43.5t	0.64 kg/cm ²