

IHI CCH50

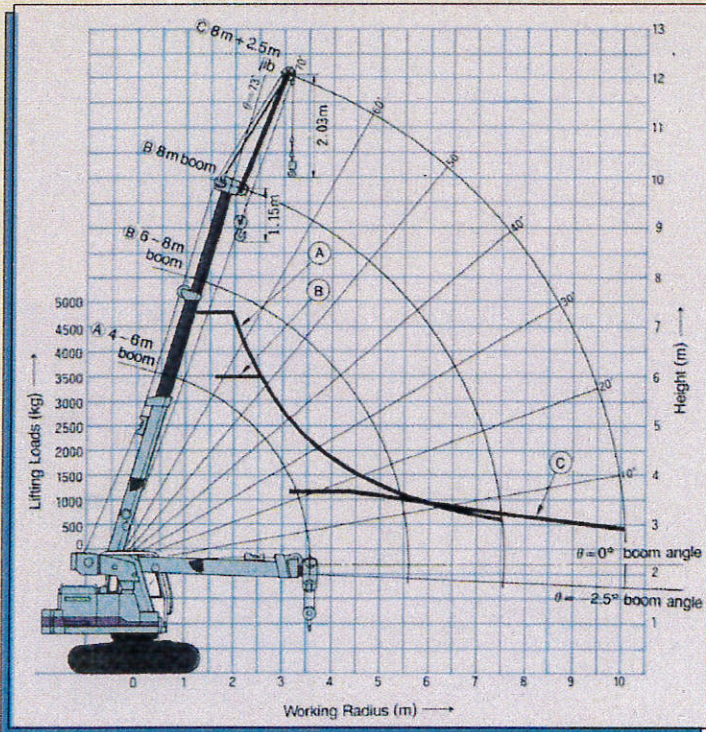
Rated Lifting Loads (2.5m jib option)

Main boom angle	All direction/360° (kg)
73°	1200
70°	1200
60°	1060
50°	830
40°	660
30°	500
20°	410
10°	380

Rated Lifting Loads (4m ~ 8m main boom)

Working radius (m)	Main boom: 4m - 6m		Main boom: 6m - 8m	
	Fixed Operation 360° A (kg)	Carrying Operation 360° (kg)	Fixed Operation 360° (kg)	Carrying Operation 360° (kg)
2.0	4800	2000	3500	2000
2.2	4300	2000	3500	2000
2.5	3700	2000	3500	2000
2.6	3500	2000	3500	2000
3.0	2870	1640	2870	1640
3.5	2310	1320	2310	1320
4.0	1890	1080	1890	1080
4.5	1580	900	1580	900
5.0	1350	770	1350	770
5.5	1150	650	1150	650
6.0			960	540
6.5			800	450
7.0			690	390
7.5			580	330

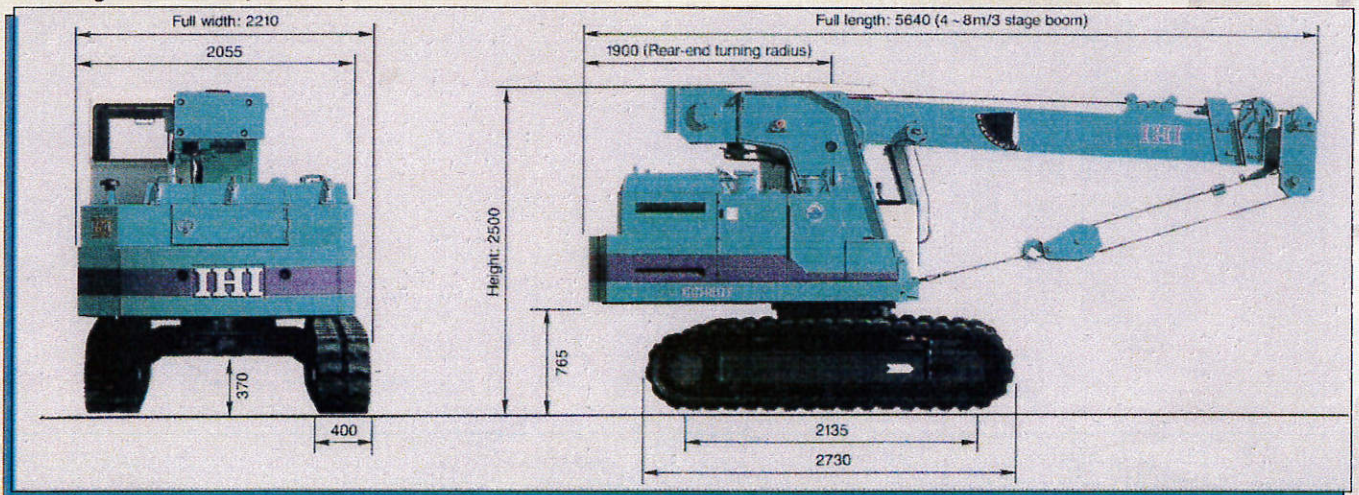
Working Radius (4 - 8m/3 stage boom + 2.5m jib) . Lifting Loads



Specifications

Max. load x Working radius	4.8 tonnes x 2.0 mtr
Max total lifting height (4 part line)	22.2m with 120mtr rope
Load lowering / hoisting speed	56 mtr / min (third layer on drum)
Boom hoist speed	14.5 sec / 2.5° to 73°
Boom extension speed	11.5 sec / 4 mtr to 8 mtr
Swing speed	2.6 rpm
Gradeability	40%
Travel Speed	2.7 km/hr
Total Weight	7970 kg
Average ground bearing pressure	Approx 0.47 kg/cm ²
ENGINE	
Model	ISUZU 4BD1 diesel
Rated output	77ps/2200rpm
Max. torque	25.0 kg.m/1400 rpm
Fuel tank capacity	110 ltr

Working Dimensions (Unit:mm)



HEAD OFFICE:
 N R C PLANT LTD
 NEAGRON HOUSE, STANFORD ROAD
 ORSETT, ESSEX RM16 3BX
 Telephone: 01375 361616
 Fax: 01375 361818

IHI CCH50